

# Presentation of Activities in Continuous-Variable QIPC

**Nicolas J. Cerf**

*Centre for Quantum Information and Communication (QuIC)  
Université libre de Bruxelles (ULB)*

**COMPAS meeting**

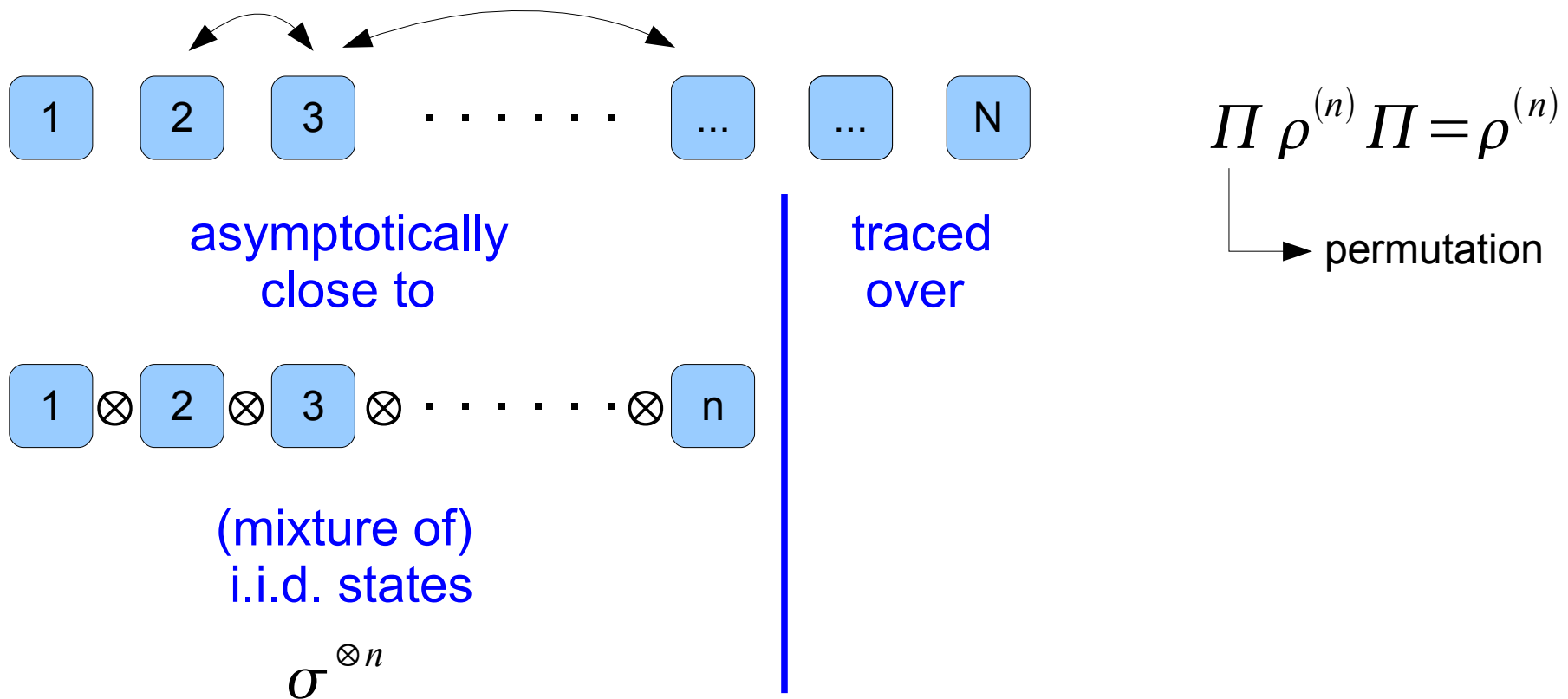
**Brussels, November 30 - December 1, 2009**

# What is so special about Gaussian states ?

- A quantum de Finetti theorem in phase space  
A. Leverrier and N. J. Cerf, Phys. Rev. A 80 (2009) 010102(R)
- Investigating Hudson's theorem for mixed states  
A. Mandilara, E. Karpov, and N. J. Cerf, Phys. Rev. A 79 (2009) 062302.

# Quantum de Finetti theorem (for qubits)

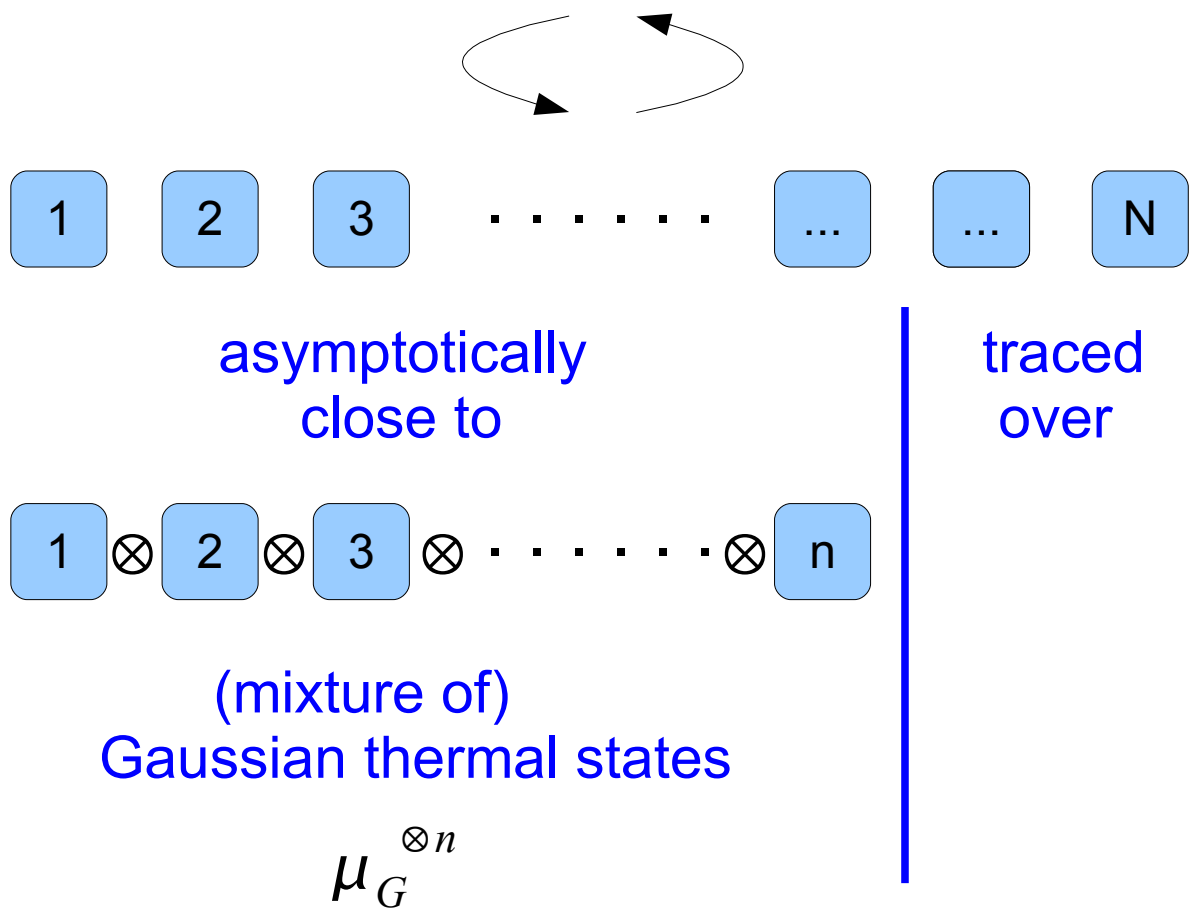
Invariant states under permutations



Special role of i.i.d. states, e.g. in quantum cryptography

# Quantum de Finetti theorem (for CV)

Invariant states under rotations in phase space



$$U \rho^{(n)} U^* = \rho^{(n)}$$

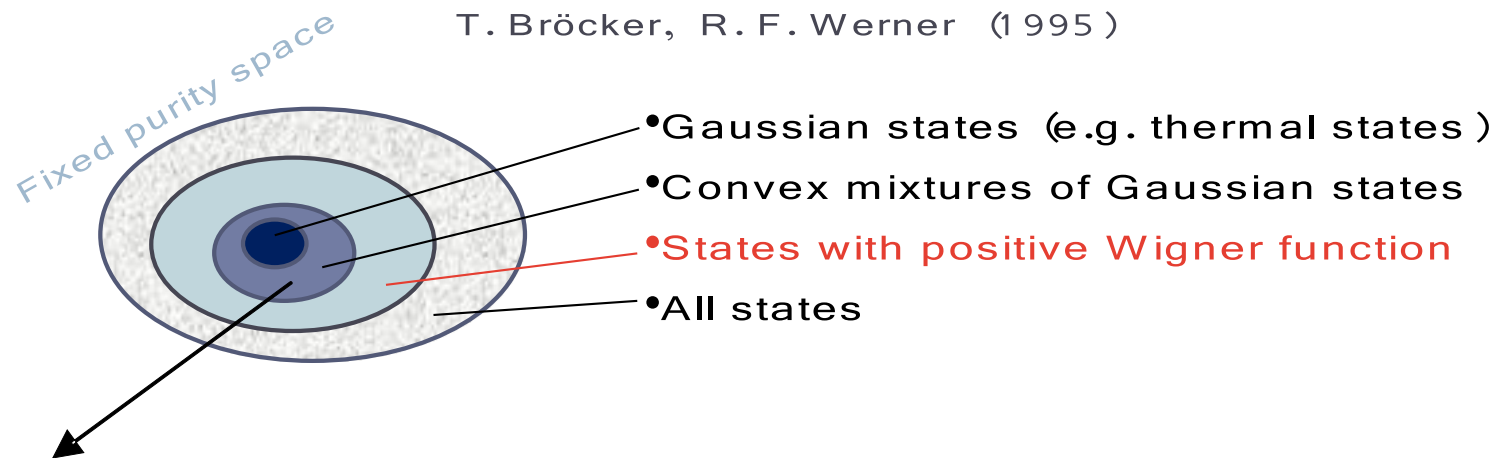
↳ Gaussian symplectic operation

Special role of Gaussian states, e.g. in quantum cryptography

# Hudson theorem : special role of Gaussian (pure) states

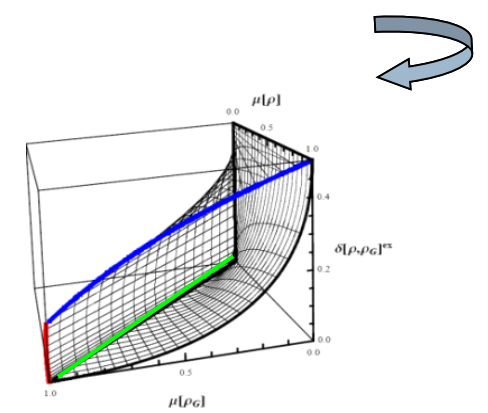
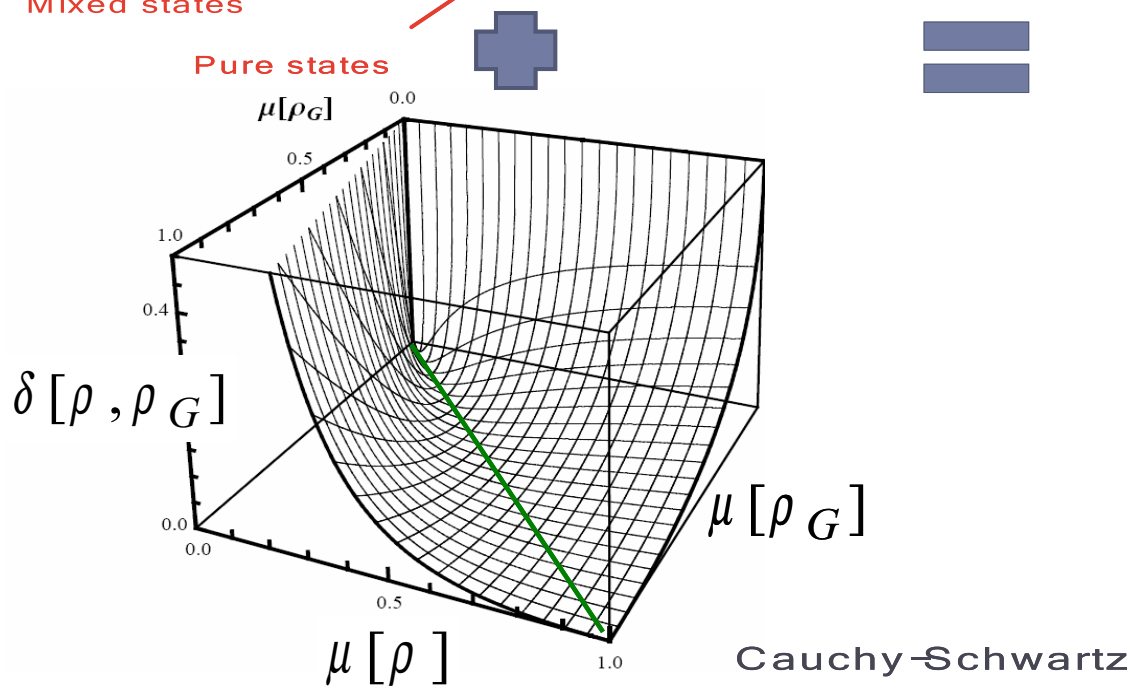
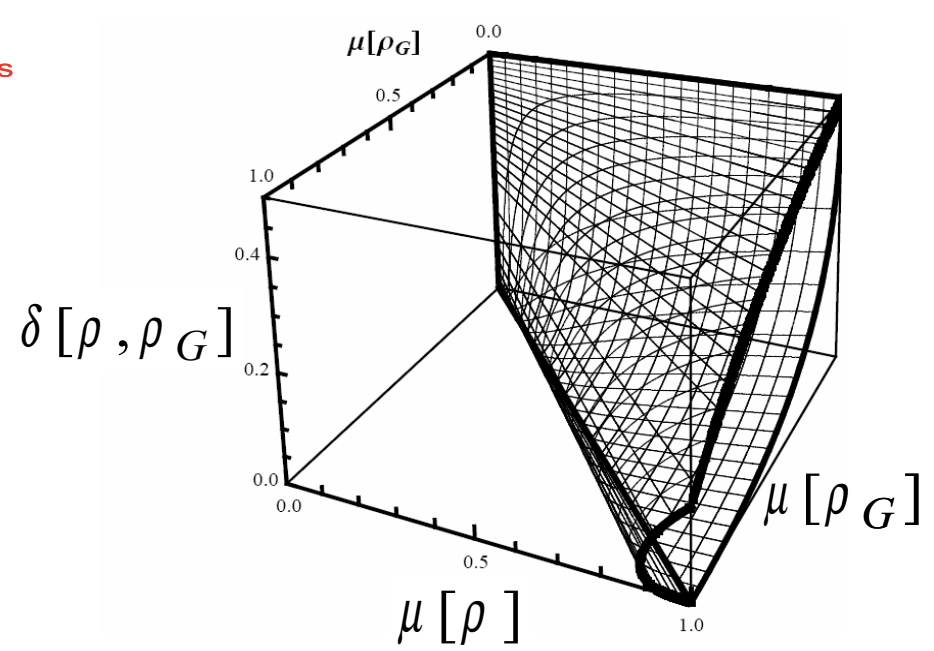
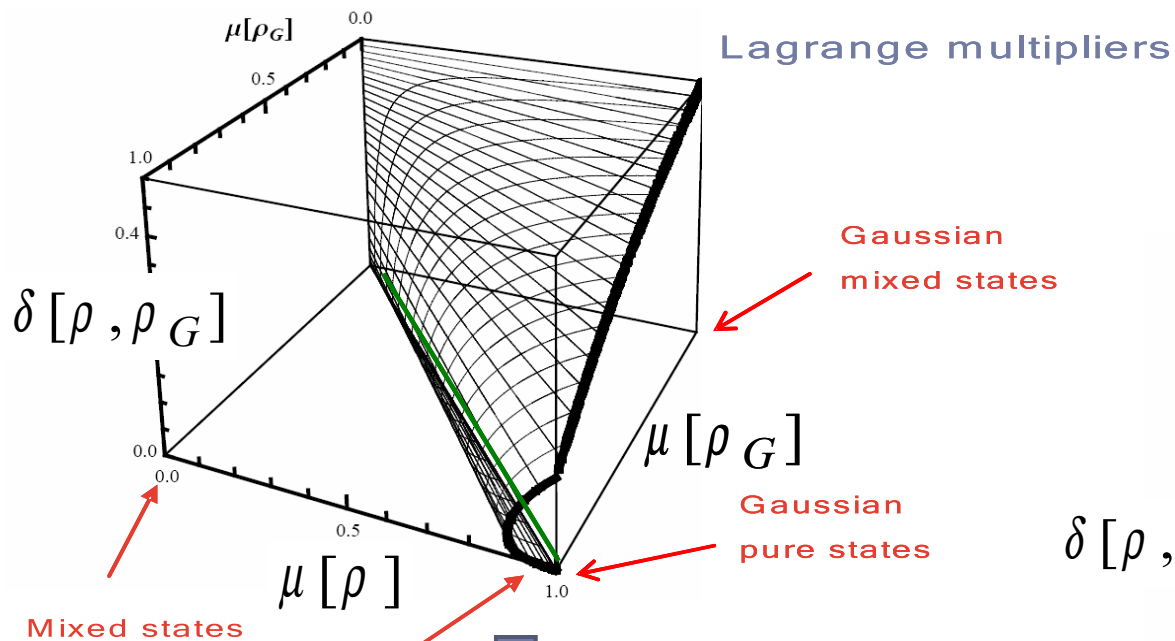
A **pure** state has a **non-negative** Wigner function **iff** it is a **Gaussian** state

What about mixed states with  $W(x,p) \geq 0$  ???



e.g., non-Gaussian mixture of Gaussian states:

$$W(x, p) = \sum_i w_i \underbrace{W_G^i(x, p)}_{\geq 0} \geq 0 \quad \text{with} \quad \sum_i w_i = 1 \quad w_i \geq 0$$



# Collaboration – theme 1

*Katerina Mandilara, Evgueni Karpov, NJC (ULB)*

&

*Anthony Leverrier, Philippe Grangier (CNRS/IO)*

# Quantum bit commitment with continuous variables ?

- A no-go theorem on Gaussian QBC

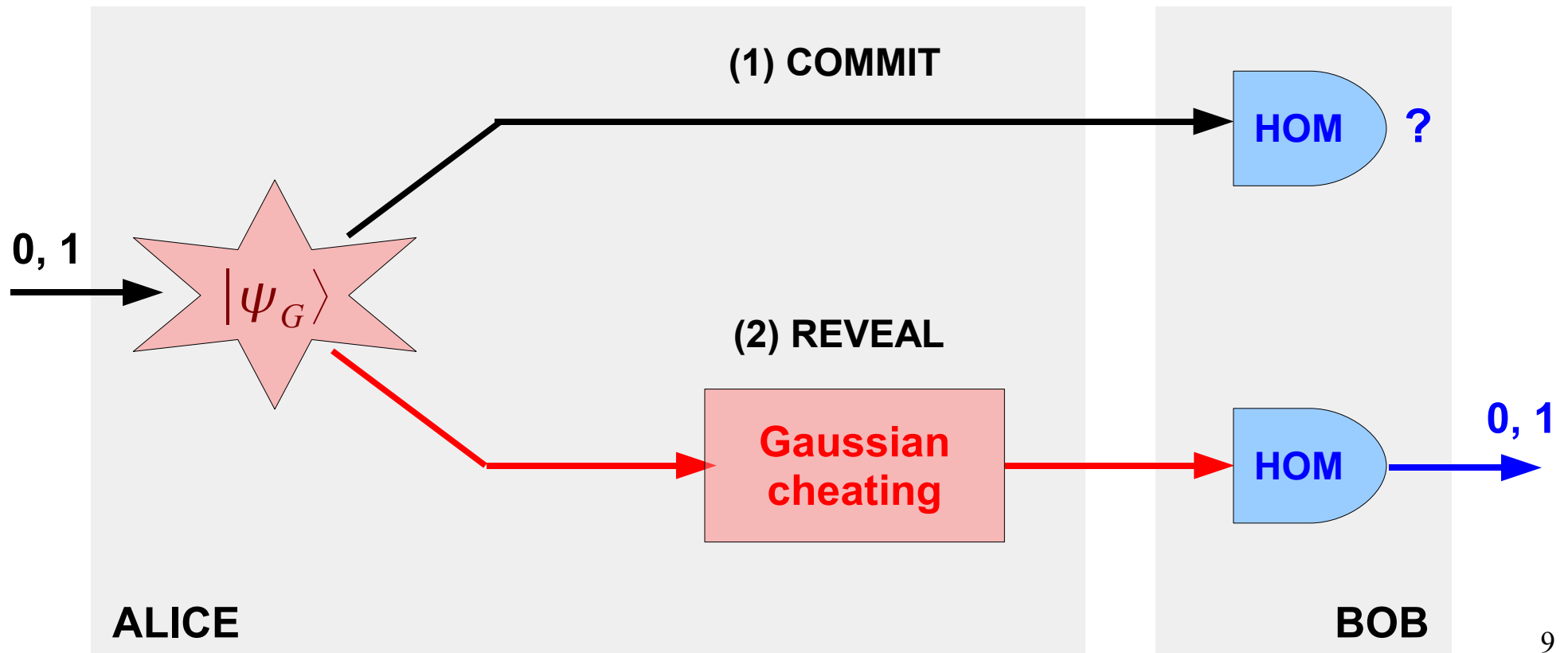
L. Magnin, F. Magniez, A. Leverrier, and N. J. Cerf, arXiv:0905.3419 [quant-ph]

- A potentially realizable non-Gaussian protocol  
(based on photon subtraction)



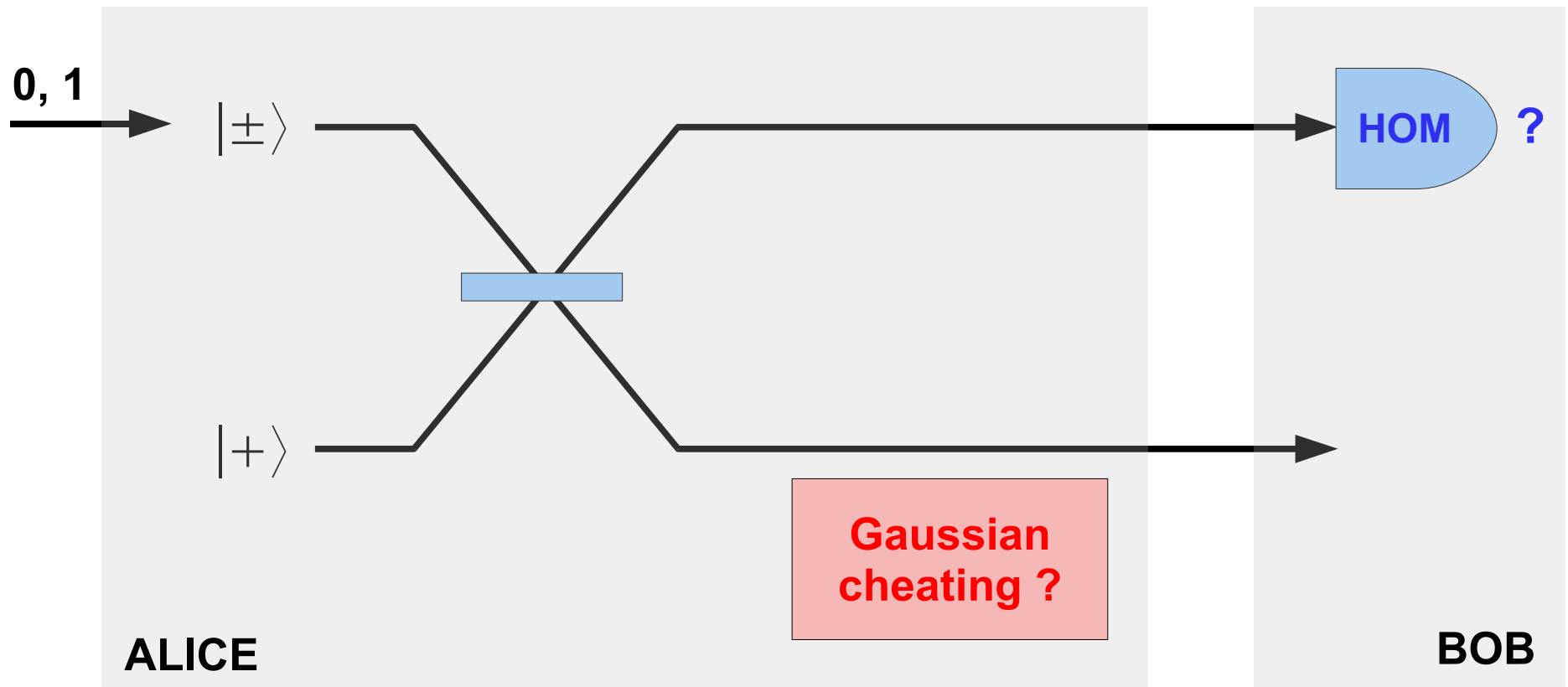
# Strong no-go theorem for Gaussian QBC

QBC is well known to be impossible unless one includes restrictions, such as bounded memory; here, restriction to Gaussian operations



# Non-Gaussian QBC protocol

Use of cat states:  $|\pm\rangle \propto |\alpha\rangle \pm |-\alpha\rangle$



$(P_{Alice\ cheats}, P_{Bob\ cheats})$  is outside the allowed region for qubit-QBC

## Collaboration – theme 2

*Loïck Magnin, Xavier Lacour, NJC (ULB)*

&

*Anthony Leverrier, Philippe Grangier (CNRS/IO)*

&

*Frédéric Magniez (LRI, Orsay, France)*

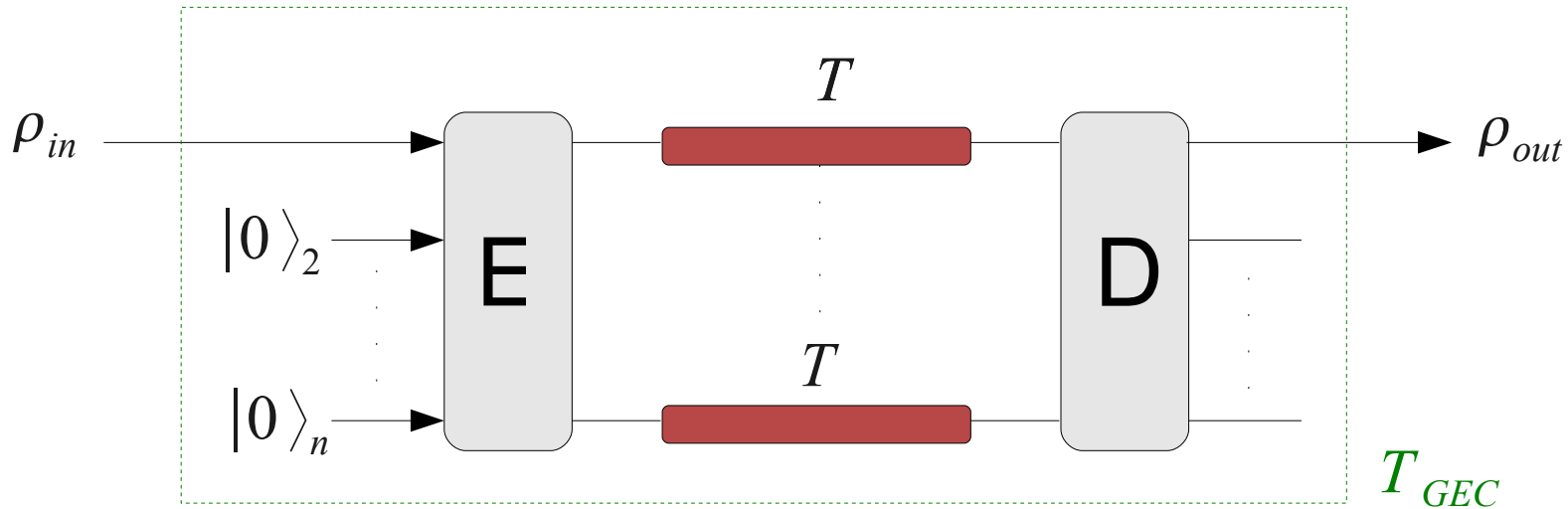
# Preserving quantum optical coherence against line losses ?

- No-go for Gaussian quantum error correction

J. Niset, J. Fiurasek, and N. J. Cerf, Phys. Rev. Lett. 102 (2009) 120501.

- A quantum “erasure” correcting code  
(against non-Gaussian fluctuating loss)

# Gaussian quantum error correction (GEC)



$T$  with matrices  $M, N \rightarrow T_{GEC}$  with matrices  $M_{GEC}, N_{GEC}$

Impossible to achieve GEC [ $T \rightarrow T_{GEC}$ ] such that  $E_D[T_{GEC}] < E_D[T]$

entanglement degradation  $E_D[T] = \min\left(\frac{\det N}{(1 + \det M)^2}, 1\right) \quad 0 \leq E_D \leq 1$

# Quantum error / erasure correcting code (QECC)

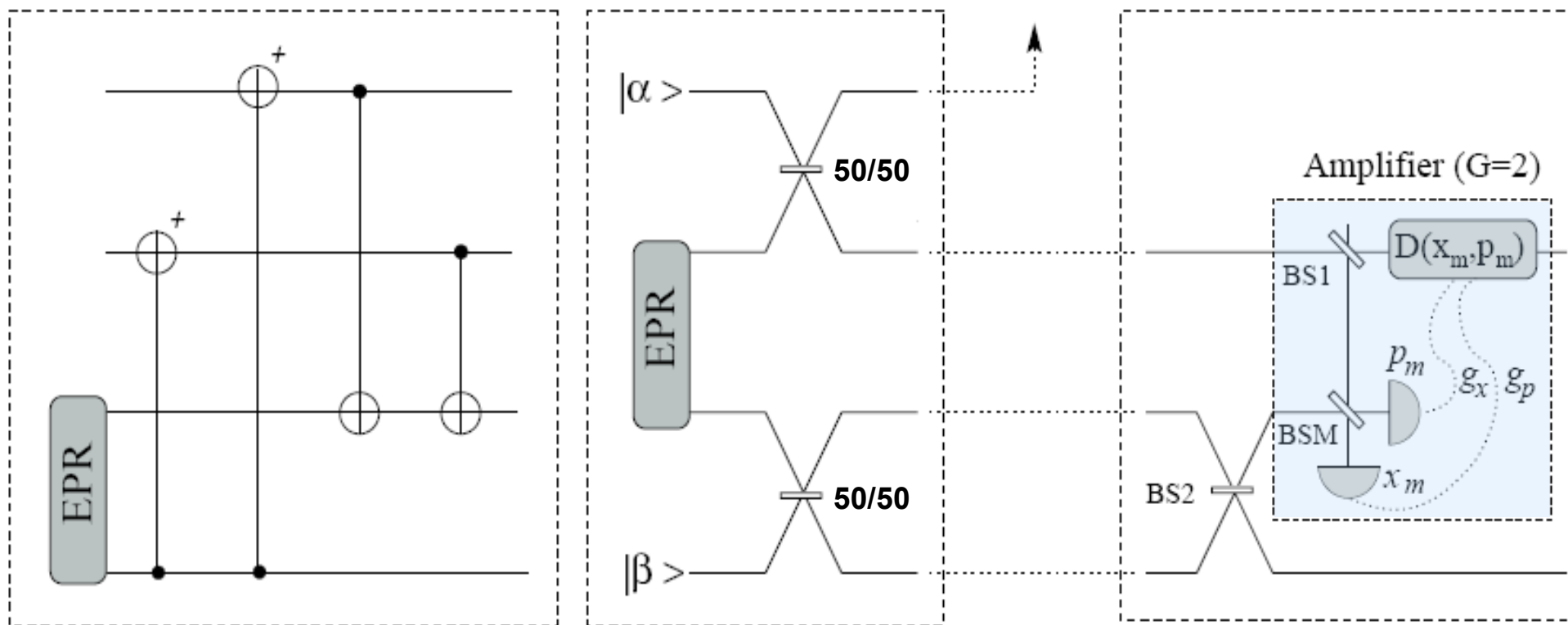
“Erasure”  $\equiv$  error of which location is known

## 2-to-4 qubits QECC

Grassl *et al.*, PRA **56**, 33 (1997).

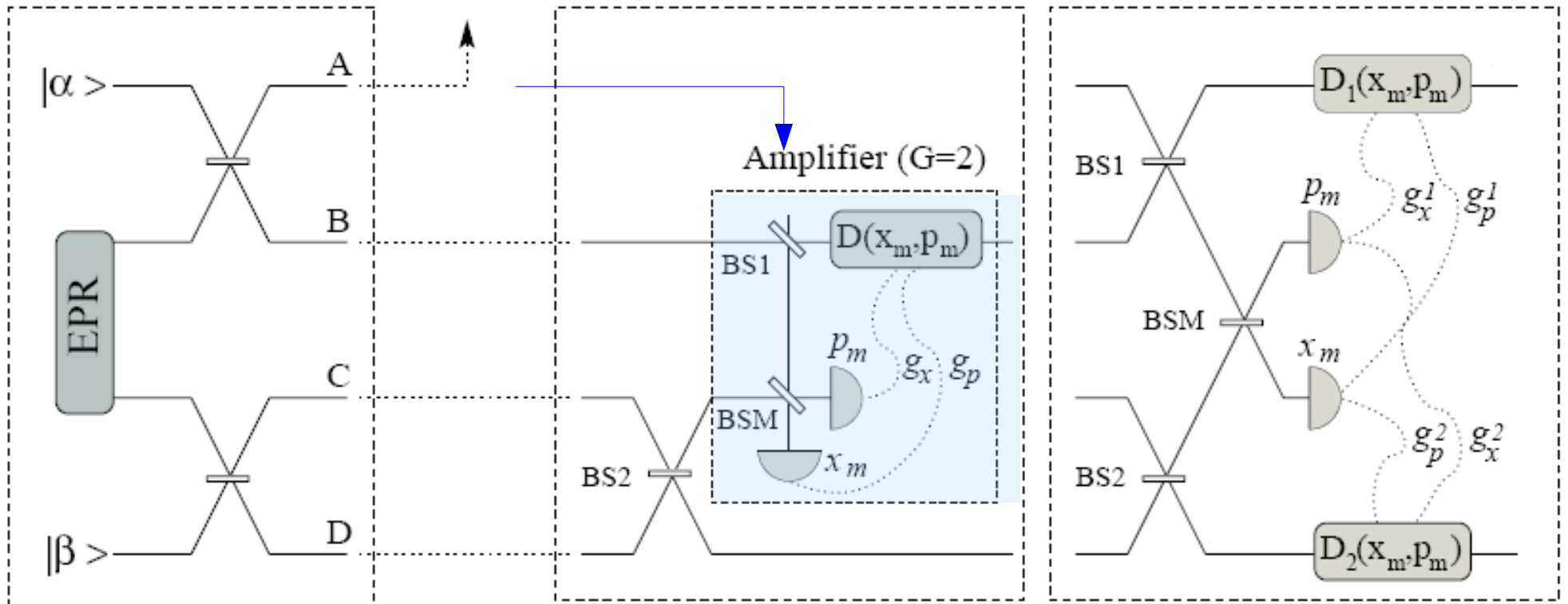
## 2-to-4 modes continuous-variable QECC

Niset, Andersen, and Cerf, PRL **101**, 130503 (2008).



Continuous-variable C-NOT gate:  $|x\rangle|y\rangle \rightarrow |x\rangle|x+y\rangle$  (= QND coupling)

# Decoder works for all possible erasure locations



Erasure may be probed via a twin mode (polarization, frequency,...)

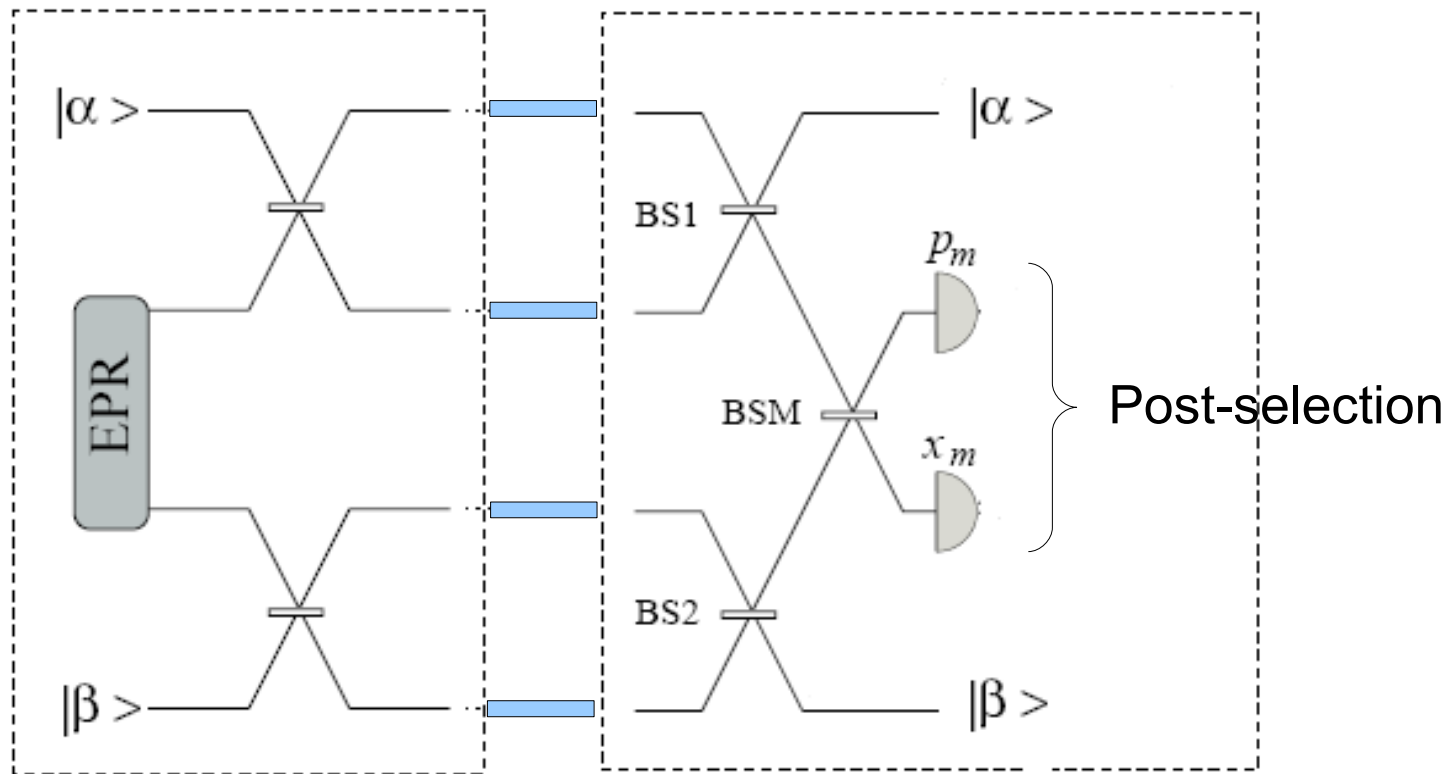
	$(g_1^x, g_1^p)$	$(g_2^x, g_2^p)$
loss of A	$(-\sqrt{2}, -\sqrt{2})$	$(0, 0)$
loss of B	$(\sqrt{2}, \sqrt{2})$	$(0, 0)$
loss of C	$(0, 0)$	$(\sqrt{2}, -\sqrt{2})$
loss of D	$(0, 0)$	$(-\sqrt{2}, \sqrt{2})$

# Probabilistic scheme

Each mode transforms as

$$\rho \rightarrow (1 - p_e)\rho + p_e|0\rangle\langle 0|$$

with  $p_e = \text{erasure probability}$

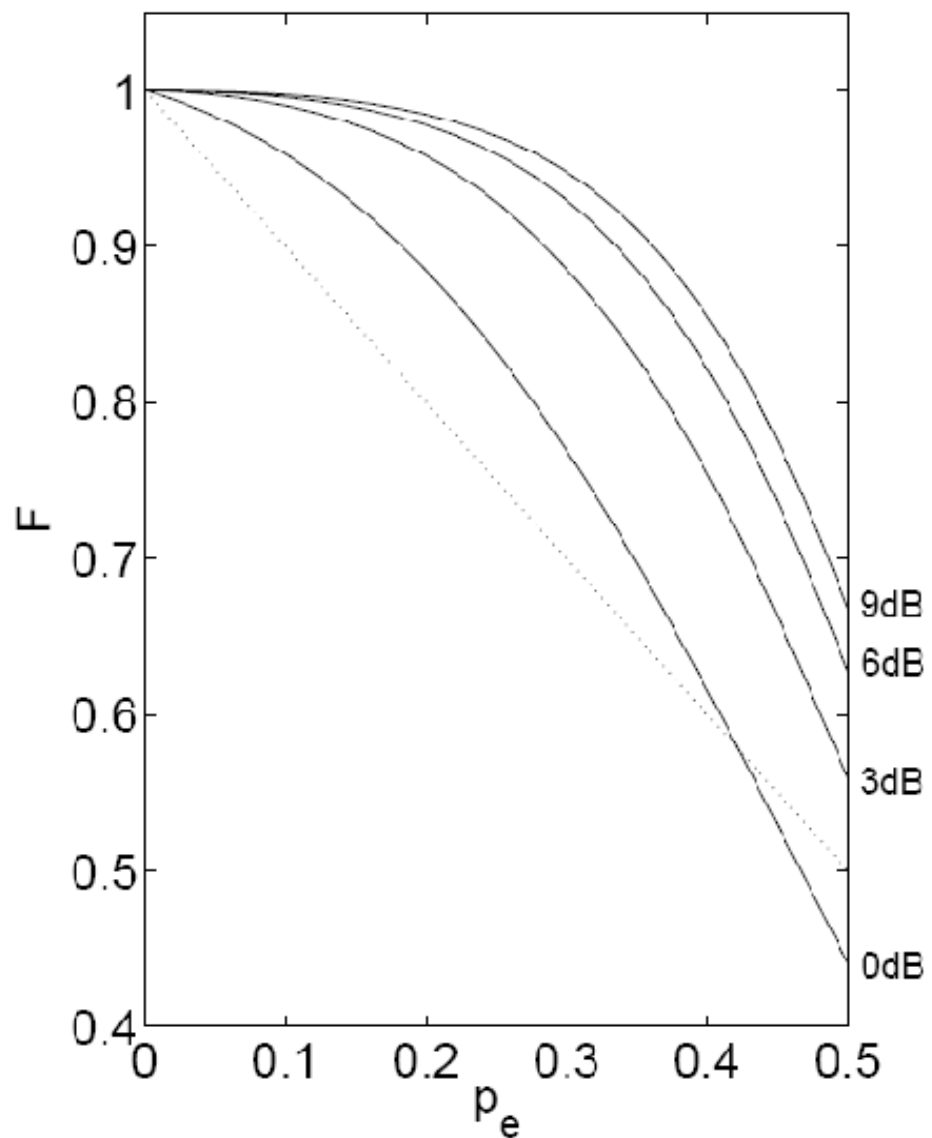


Post-selection: keeping events with  $x_m \leq x_{th}$  and  $p_m \leq p_{th}$

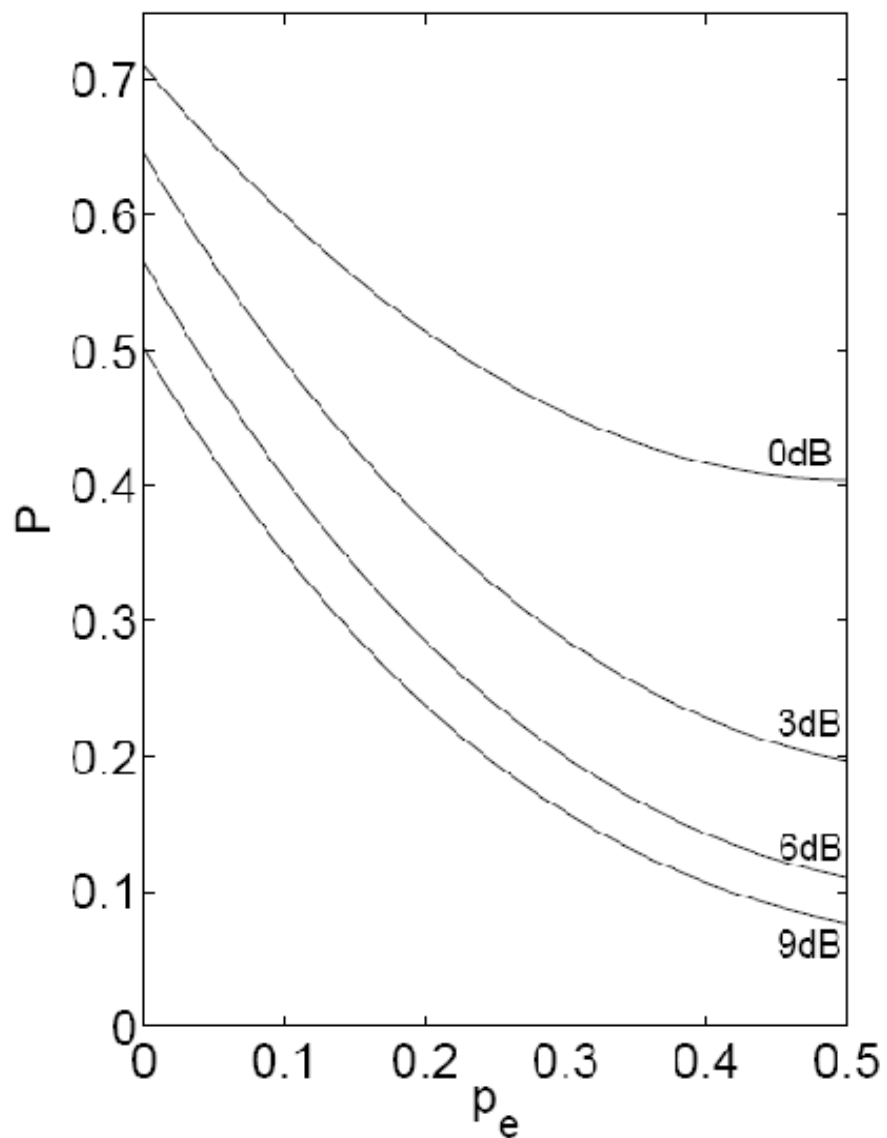


# Erasure filtering

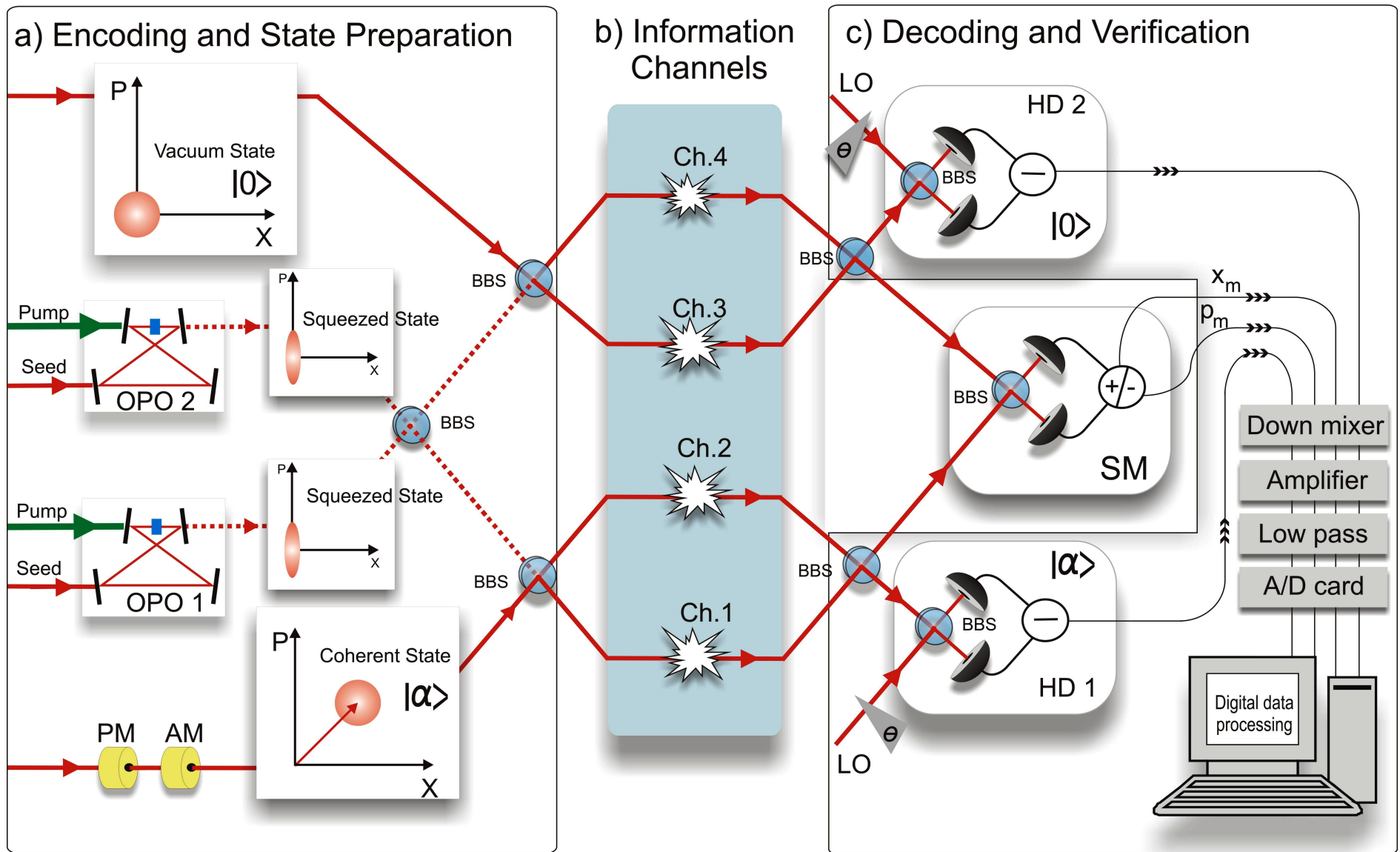
## Single-mode fidelity



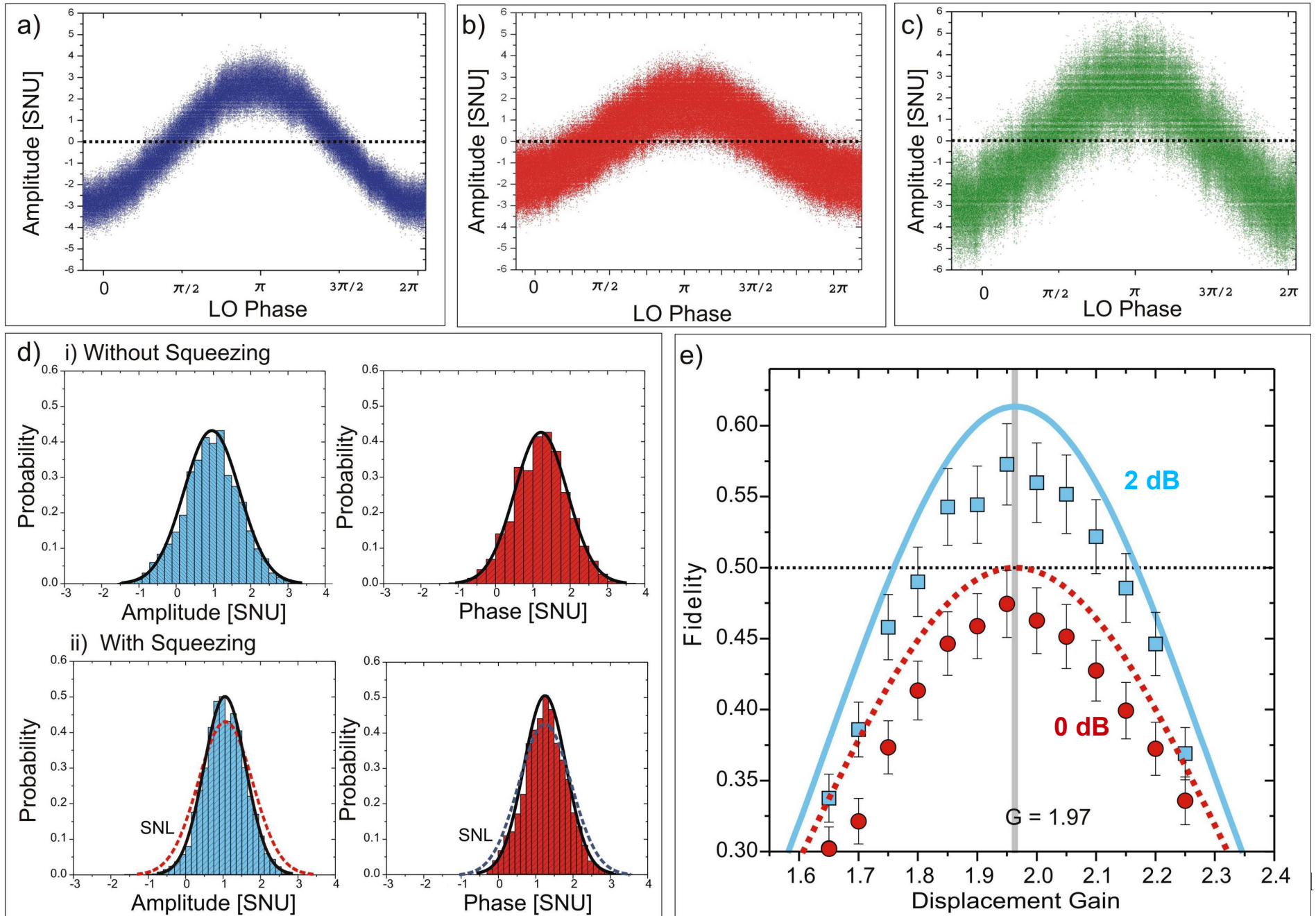
## Probability of success $P$



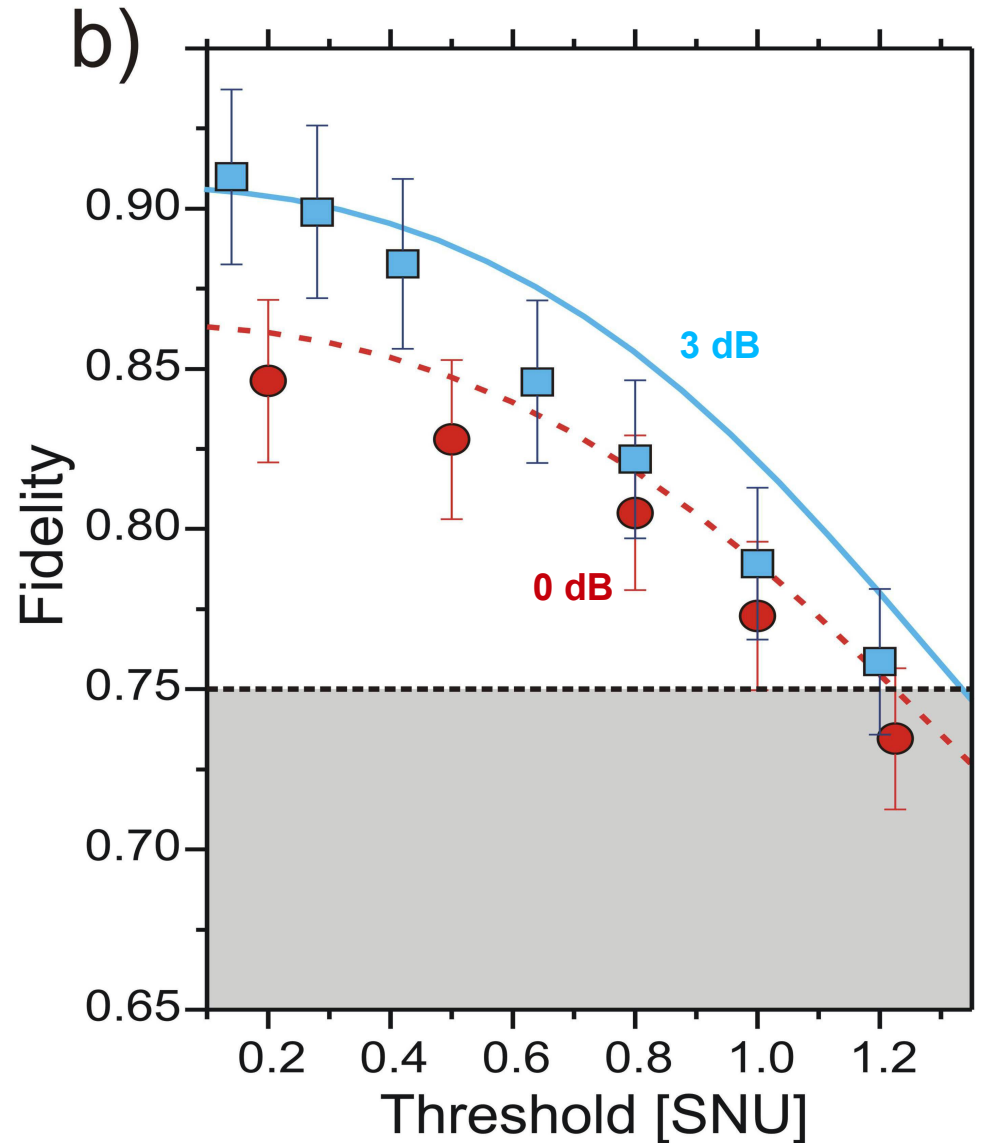
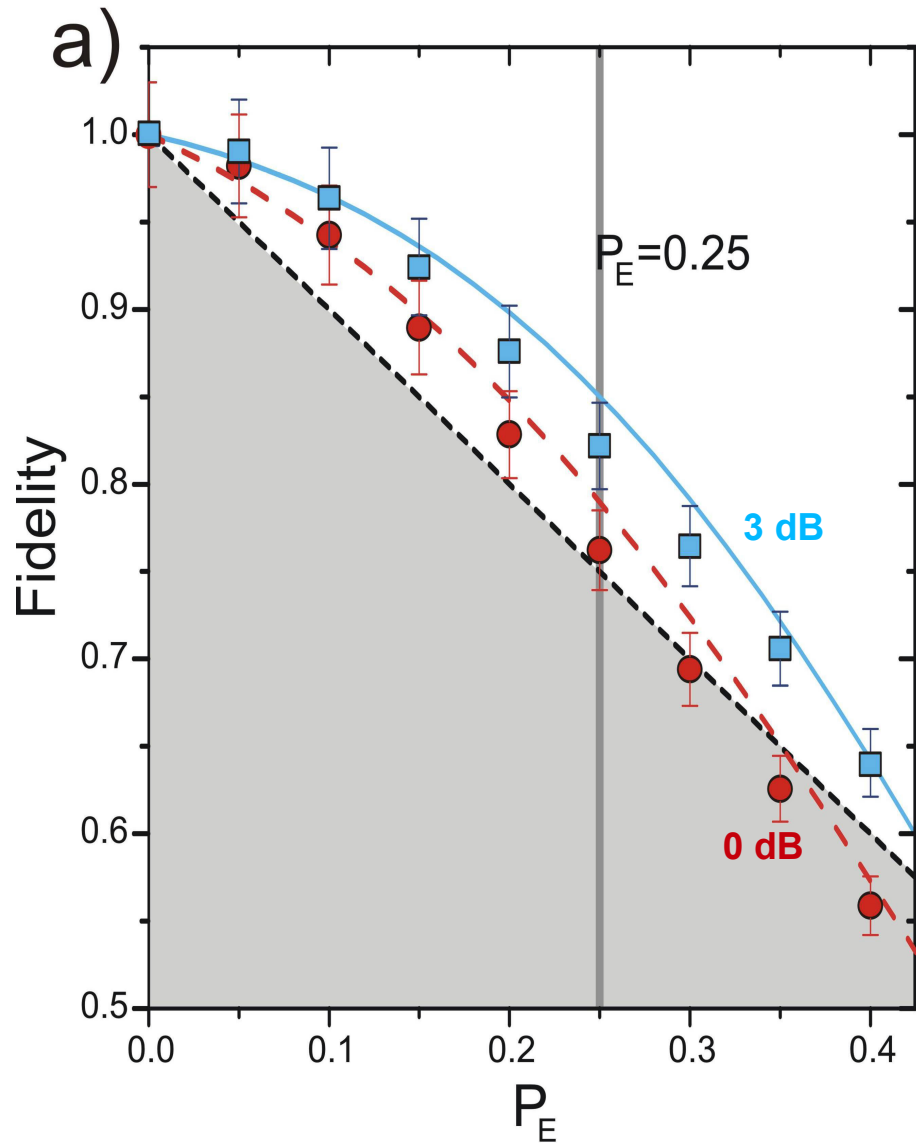
# Experimental optical setup (in CW)



# Experimental results for (deterministic) QECC



# Experimental performances of erasure filtering



## Collaboration – theme 3

Joint work with:

*Julien Niset, Joachim Schäfer, NJC (ULB)*

&

*Jaromir Fiurasek (UP)*

&

*Ulrik Andersen, Metin Sabuncu, Alexander Huck (DTU)*

&

*Gerd Leuchs, Mikael Lassen (FAU)*

# Possible future themes ?

- CV quantum coin tossing
- CV fault tolerant quantum computation  
(concatenation of CV-QECC)
- CV quantum algorithm (Deutsch-Josza, Grover)
- Bipartite extension of CV quantum de Finetti
- CV quantum non locality